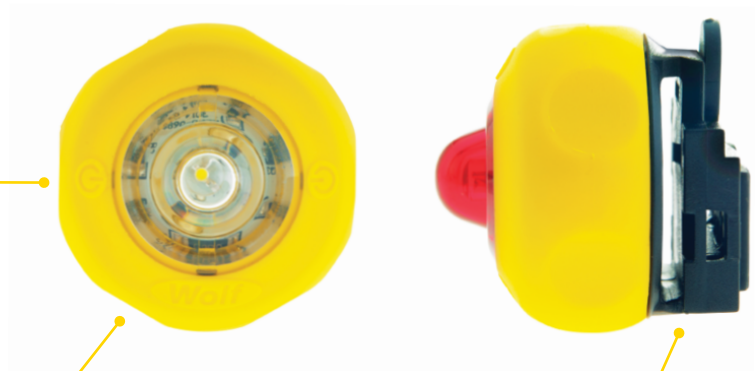


ML-15A, ML-15R, ML-15W ZONES **1** **2** **21** **22**

PRODUCT INFORMATION

The Wolf Markerlite is a self-contained, high visibility led indicator which is CE marked to the ATEX directive and IECEx certified for safe use in potentially explosive zone 1 (IIC/T4) gas and zone 21 (IIIB/200°C) dust atmospheres.

Built for longevity and total reliability



Single handed switching and operation

Easily mounts on a headband strap or fixes to a tube using a cable tie and grip pad stops rotation

KEY INFORMATION

LIGHT OUTPUT/DURATION/POWER

- Ultra bright 'fitted for life' LED
- Alkaline cell approval giving up to 65 hour duration (on flashing mode)
- Visible over 0.5 miles / 0.8 kilometres away in the dark

CERTIFICATION

- Certified for ATEX & IECEx Zones 1, 2, 21 and 22
- CE marked
- -40°C to +55°C temperature ambient
- T4 temperature class
- IP67 ingress protection

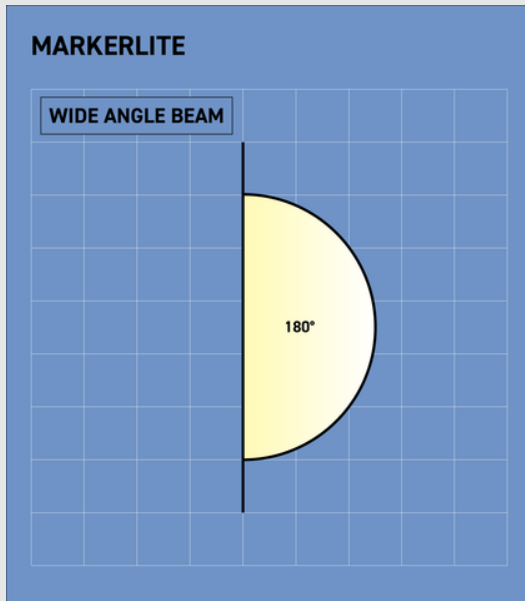
FEATURES

- 3 colours available - white / red / amber
- Easily attached to clothing and equipment and surrounding environment - ideal for hazard illumination and indication
- Fitted with integrated clip and cable tie slot (reusable cable tie supplied)
- Small and lightweight at 23 grams with batteries
- Supplied with batteries
- Additional fixing accessories available **[ML-605]**



ML-605 Markerlite Accessory Kit

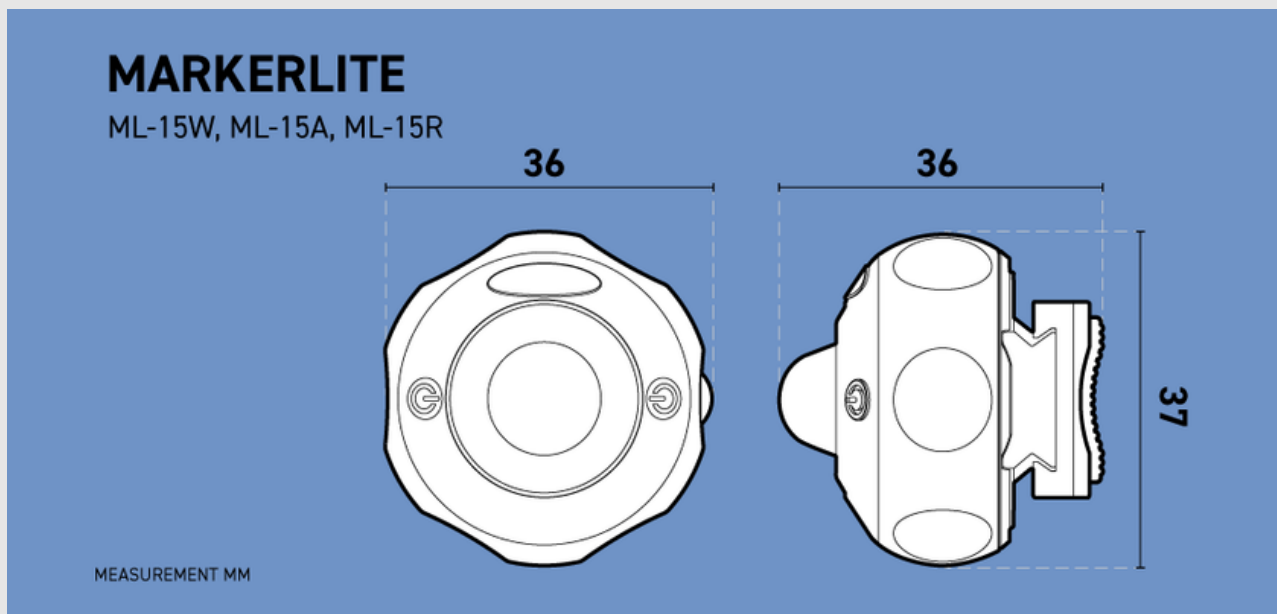
LIGHT OUTPUT DIAGRAM



4.7lm Wide Angle Beam (approx. 180°)

Peak luminous intensity at 30cm
13.4lux

PRODUCT DIMENSIONS



MARKERLITE

PRODUCT REFERENCE		ML-15W	ML-15A	ML-15R
PRODUCT DESCRIPTION		White	Amber	Red
CODE (INDUSTRIAL)		II 2 GD Ex ib IIC T4 Gb (Tamb -40°C to +55°C) IP67 Ex ib IIIB T200°C Db		
TYPE OF PROTECTION		'ib' intrinsic safety		
AREA OF CLASSIFICATION (GAS)		Zones 1 and 2 Gas Groups IIA, IIB & IIC		
TEMP. CLASSIFICATION (GAS)		T4		
AMBIENT TEMPERATURE		-40°C - +55°C		
AREA OF CLASSIFICATION (DUST)		Zones 21 and 22 Dust Groups IIIA & IIIB		
MAX. SURFACE TEMPERATURE (DUST)		T200°C		
CERTIFICATE		ATEX - Baseefa14ATEX0203 IECEX - IECEX BAS 14.0095		
ENCLOSURE		Polycarbonate and Thermoplastic Elastomer		
LENS		Polycarbonate		
BEAM TYPE		Wide Angle (180°)		
LIGHT		High Output LED		
LIGHT SOURCE:	TYPE	LED White	LED Amber	LED Red
	OUTPUT	4.7 lumens		
	LIFE	25,000 hrs		
POWER SOURCE:	TYPE	CR2032 Lithium Button Cells with a minimum separation of 0.9mm between central negative (-) pad and outer edge of cell		
	VOLTS	2 x 3V		
LIGHT DURATION		65 hrs (flashing) & 25 hrs (static)		
INGRESS PROTECTION		IP67		
WEIGHT (INCL. CELLS)		23 grams		

All information has been gathered under laboratory conditions, the user must regard the values given as approximate. Changes may be made to the above specification without notification, details are available on request.



Wolf Safety Lamp Company
Saxon Road Works, Sheffield S8 0YA, UK

