

**GB**

## Wolf ATEX Torch with LED Range Operation and Maintenance Instructions Please retain – read before use

### EU Declaration of Conformity

The Wolf ATEX Torch with LED Range (TR-30+, TS-30+, TR-35+ and TS-35+) meets all relevant provisions of the 2014/34/EU Explosive Atmospheres (ATEX Equipment) Directive by virtue of the issued EU type examination certificate, demonstrating compliance with all relevant harmonised standards and essential health and safety requirements.

Wolf ATEX Torches with LED are self contained primary cell powered torches with high power LED light sources moulded in high impact strength plastic. The TS-30+ and TR-30+ are approved as Group I, M2 equipment for mining applications, Group II, Category 2 equipment for use in zone 1 & 2 potentially explosive gases, vapours and mists where the T4 temperature class permits and zone 21 & 22 potentially explosive dusts where the T130°C maximum surface temperature and IIB dust group permits.

The TS-35+ and TR-35+ are approved as Group I, M1 equipment for mining applications, Group II, Category 1 equipment for use in zone 0, 1 & 2 potentially explosive gases, vapours and mists where the T4 temperature class permits and Group II, Category 2 equipment for use in Zones 21 & 22 potentially explosive dusts where the T130°C maximum surface temperature and IIB dust group permits.

For detailed information on applicable codes with battery options, see attached table.

**Do not open torch in Ex Areas.**

**Do not mix cells.**

**Do not use rechargeable cells.**

**Ensure torch is switched off when fitting the TP-300 LED module.**

**Damaged equipment should be repaired before further use.**

**Caution – If fitting Polycarbonate lens, check Ex atmospheres for compatibility.**

**Ex atmospheres for compatibility.**

**Ex atmospheres for compatibility.**

**Ex atmospheres for compatibility.**

**Ex atmospheres for compatibility.**

**Ex atmospheres for compatibility.**

**Ex atmospheres for compatibility.**

**Ex atmospheres for compatibility.**

**Ex atmospheres for compatibility.**

**Ex atmospheres for compatibility.**

**Ex atmospheres for compatibility.**

**Ex atmospheres for compatibility.**

**Ex atmospheres for compatibility.**

**Ex atmospheres for compatibility.**

**Ex atmospheres for compatibility.**

**Ex atmospheres for compatibility.**

**Ex atmospheres for compatibility.**

**Ex atmospheres for compatibility.**

**Ex atmospheres for compatibility.**

**Ex atmospheres for compatibility.**

**Ex atmospheres for compatibility.**

**Ex atmospheres for compatibility.**

**Ex atmospheres for compatibility.**

**Ex atmospheres for compatibility.**

**Ex atmospheres for compatibility.**

**Ex atmospheres for compatibility.**

**Ex atmospheres for compatibility.**

**Ex atmospheres for compatibility.**

**Ex atmospheres for compatibility.**

**Ex atmospheres for compatibility.**

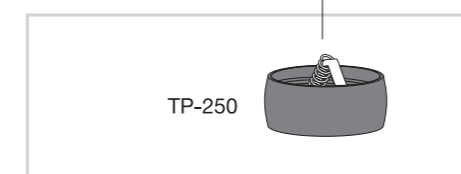
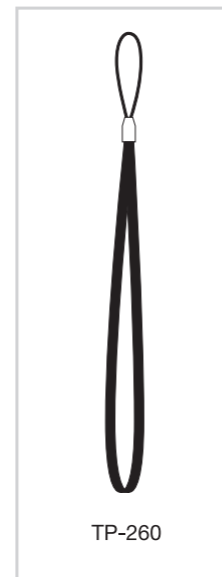
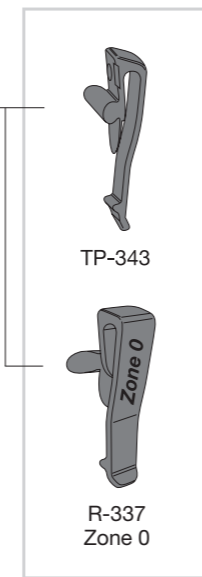
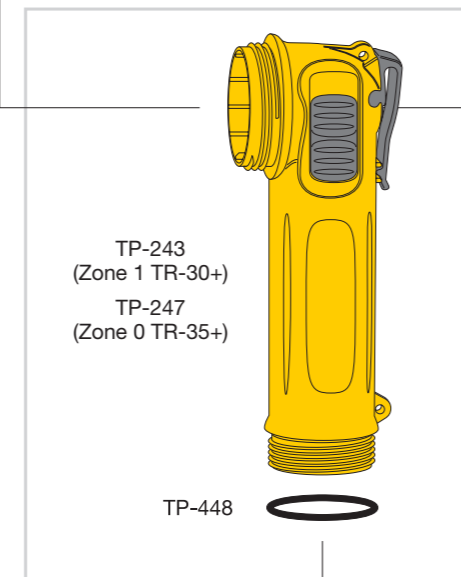
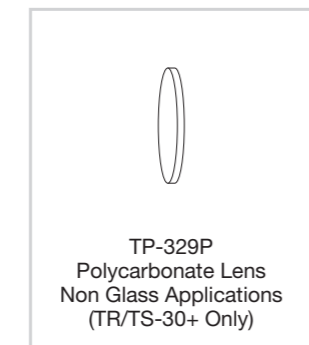
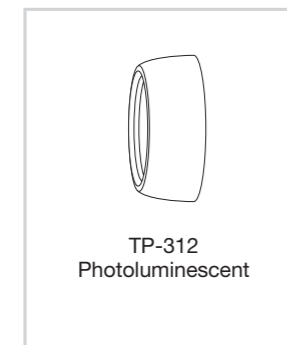
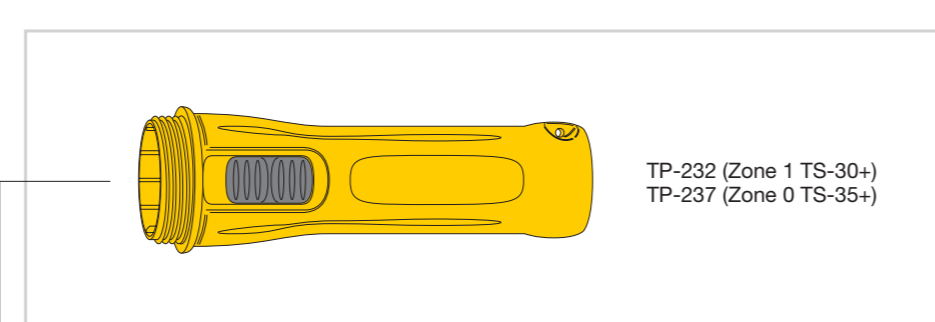
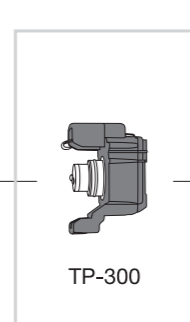
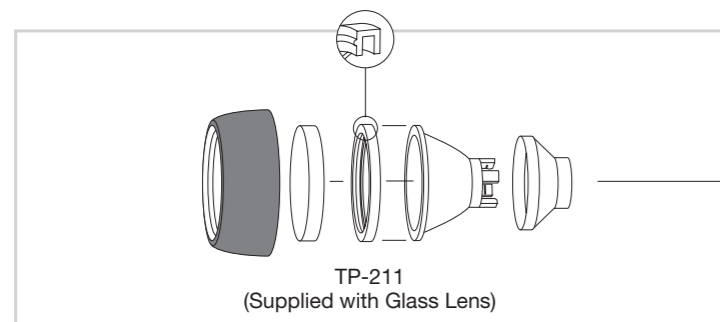
**Ex atmospheres for compatibility.**

**Ex atmospheres for compatibility.**

**Ex atmospheres for compatibility.**

**Ex atmospheres for compatibility.**

**Ex atmospheres for compatibility.**



TS-30+	⊕	M2/II 2GD Ex ib I Mb/IIC T4 Gb (-20°C ≤ Ta ≤ 40/55°C)	Ex ib IIB T130°C Db
TR-30+	⊕	M2/II 2GD Ex ib I Mb/IIC T4 Gb (-30°C ≤ Ta ≤ 40/55°C)	Ex ib IIB T130°C Db
TS-35+	⊕	M1/II 1G2D Ex ia I Ma/IIC T4 Ga (-20°C ≤ Ta ≤ 40/55°C)	Ex ib IIB T130°C Db
TR-35+	⊕	M1/II 1G2D Ex ia I Ma/IIC T4 Ga (-30°C ≤ Ta ≤ 40/55°C)	Ex ib IIB T130°C Db

**G (Gas): T4**  
**D (Dust): T130°C**  
**Temperature Ambient**  
TR -30°C ≤ Ta ≤ 40°C  
TS -20°C ≤ Ta ≤ 40°C

**LR20**

**Wolf H-20** ✓

Cegasa Alkaline  
Duracell Alkaline  
Duracell Industrial  
Duracell Plus  
Duracell Procell  
Duracell Ultra  
Energizer Alkaline  
Energizer Industrial  
Eveready Gold  
Exide Alkaline  
Hi-Tech Alkaline Professional  
Kodak Alkaline  
Pifco Optimax Alkaline  
Rayovac Maximum  
RS Alkaline  
Sanyo Alkaline  
Varta Universal Alkaline  
Varta Alkaline Value Pack  
Varta Electric Power  
Procell Alkaline (Grey)

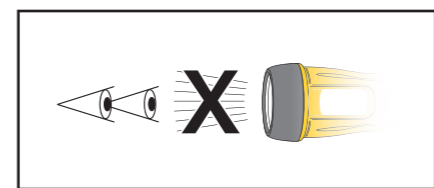
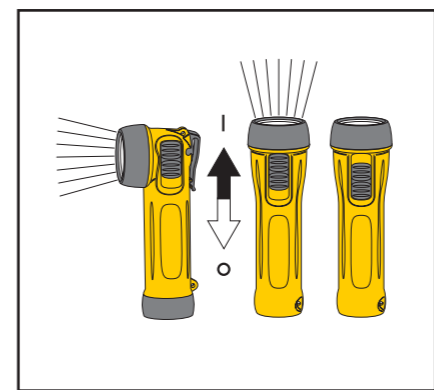
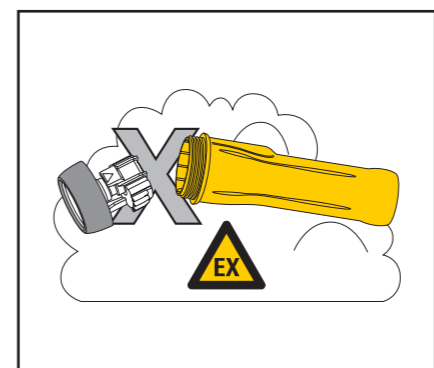
**G (Gas): T4**  
**D (Dust): T130°C**  
**Temperature Ambient**  
TR -30°C ≤ Ta ≤ 55°C  
TS -20°C ≤ Ta ≤ 55°C

**LR20**

**Wolf H-20** ✓

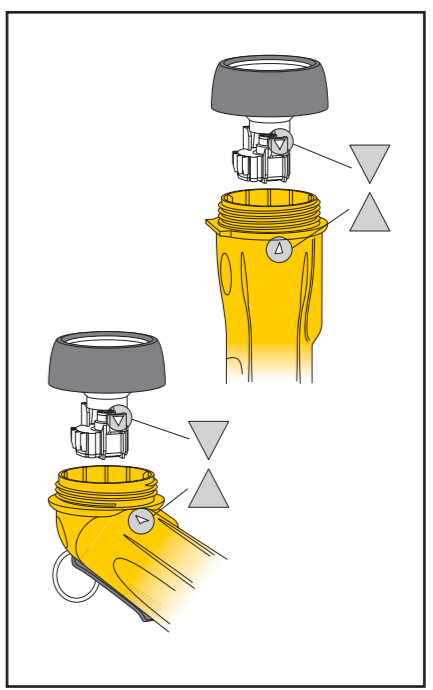
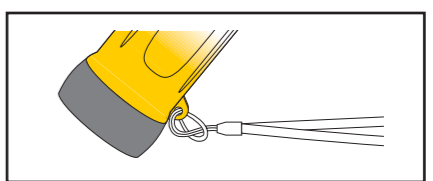
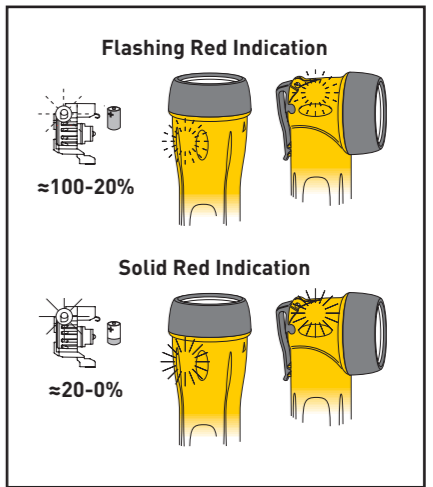
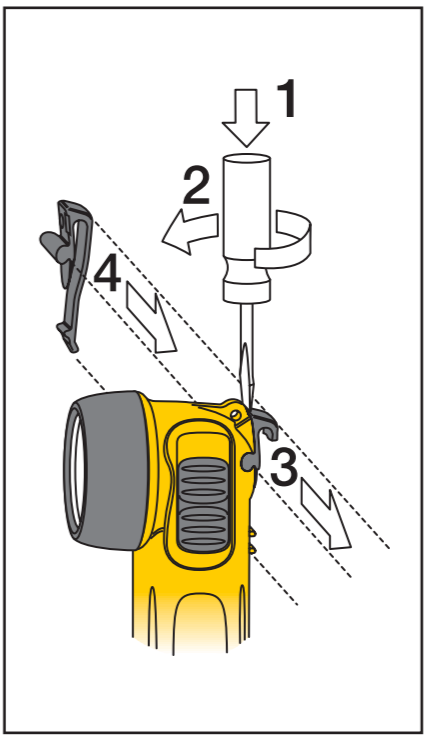
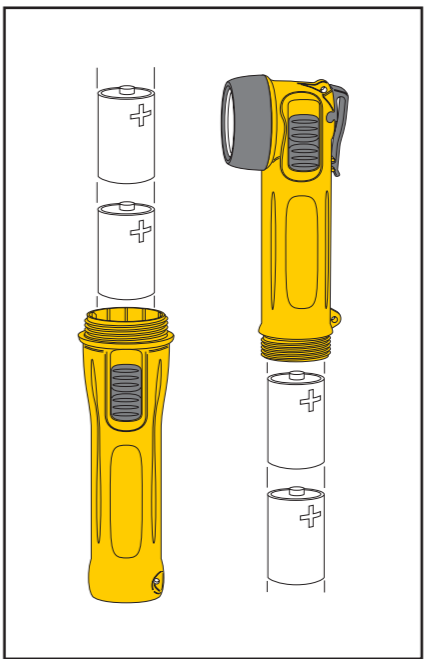
Duracell Ultra  
Energizer Alkaline  
Energizer Industrial  
Eveready Gold

Spare Parts	
TP-211	Lens Ring Assembly Glass
TP-232	LED Straight Torch Body Assembly Zone 1 & 2
TP-243	LED Right Angle Torch Body Assembly Zone 1 & 2
TP-237	LED Straight Torch Body Assembly Zone 0
TP-247	LED Right Angle Torch Body Assembly Zone 0
TP-300	LED Module
TP-343	Clip Moulding Zone 1 & 2
R-337	Clip Moulding Zone 0
TP-448	Base 'O' Seal
TP-250	End Cap Assembly
TP-260	Wrist Strap
H-20	LR20 Cell
TP-312	Lens Ring Photoluminescent
TP-329P	Polycarbonate Lens TR/TS-30+ only
TP-318P	Glass Lens



**Risk Group 2**

**CAUTION:** Possible hazardous optical radiation emitted from this product DO NOT stare at operating lamp. May be harmful to the eye.



**Wolf**

## WOLF ATEX SAFETY TORCH WITH LED

ATEX, UKEX and  
IECEx approved  
for explosive  
gas and dust  
atmospheres

TS-30+ & TR-30+  
TS-35+ & TR-35+



Operation and  
Maintenance  
Instructions



Use only genuine Wolf replacements parts.  
The Wolf Safety Lamp Co. Ltd has a policy of continuous product improvement. Changes in design details may be made without prior notice.

**Risk Group 2**

**CAUTION:** Possible hazardous optical radiation emitted from this product DO NOT stare at operating lamp. May be harmful to the eye.

Alex Jackson - Managing Director  
Wolf Safety Lamp Company Ltd.  
Sheffield, S8 0YA, UK  
Dated: 01 November 2021

This declaration is issued under the sole responsibility of Wolf Safety Lamp Company.

Ingress Protection Level: **IP67** to EN60529:1992

Harmonised Standards Applied:  
EN IEC 60079-0:2018, EN 60079-11:2012

EU Type examination certificate:  
**Baseefa07ATEX0091**

Notified Body:  
SGS FIMKO OY, P.O. Box 30 (Särkiniementie 3)  
00211 HELSINKI, Finland.  
Notified body number: **0598**

EU Declaration of Conformity

The Wolf ATEX Torch with LED Range (TR-30+, TS-30+, TR-35+ and TS-35+) meets all relevant provisions of the 2014/34/EU Explosive Atmospheres (ATEX Equipment) Directive by virtue of the issued EU type examination certificate, demonstrating compliance with all relevant harmonised standards and essential health and safety requirements.

Wolf ATEX Torches with LED are self contained primary cell powered torches with high power LED light sources moulded in high impact strength plastic. The TS-30+ and TR-30+ are approved as Group I, M2 equipment for mining applications, Group II, Category 2 equipment for use in zone 1 & 2 potentially explosive gases, vapours and mists where the T4 temperature class permits and zone 21 & 22 potentially explosive dusts where the T130°C maximum surface temperature and IIB dust group permits.

The TS-35+ and TR-35+ are approved as Group I, M1 equipment for mining applications, Group II, Category 1 equipment for use in zone 0, 1 & 2 potentially explosive gases, vapours and mists where the T4 temperature class permits and Group II, Category 2 equipment for use in Zones 21 & 22 potentially explosive dusts where the T130°C maximum surface temperature and IIB dust group permits.

**GB**

