

1 EU - TYPE EXAMINATION CERTIFICATE

2 Product or Protective System Intended for use in Potentially Explosive Atmospheres Directive 2014/34/EU – Annex III

3 EU - Type Examination Certificate No.: **TRAC14ATEX0041X (incorporating variations V1 to V3)**

4 Product: **LED Flashlights PELI 3325Z0 & MSA by PELI™ XPS**

5 Manufacturer: **Pelican Products Inc.**

6 Address: **23215 Early Avenue, Torrance, CA, 90505, USA**

7 This product and any acceptable variation thereto is specified in the schedule to this certificate and the documents therein referred to.

8 Element Materials Technology, Notified Body number 0891, in accordance with Article 17 of Directive 2014/34/EU of the European Parliament and of the Council, dated 26 February 2014, certifies that this product has been found to comply with the Essential Health and Safety Requirements relating to the design and construction of products intended for use in potentially explosive atmospheres given in Annex II to the Directive.

The examination and test results are recorded in the confidential reports **TRA-022367-33-00A, TRA-024750-33-00A, TRA-030711-33-00A & TRA-031649-33-00A.**

9 Compliance with the Essential Health and Safety Requirements has been assured by compliance with:
EN 60079-0:2012 EN 60079-11:2012 EN 60079-26:2007

Except in respect of those requirements listed at section 18 of the schedule.

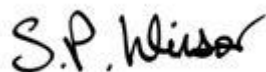
10 If the sign "X" is placed after the certificate number, it indicates that the product is subject to specific conditions of use specified in the schedule to this certificate.

11 This EU - TYPE EXAMINATION CERTIFICATE relates only to the design and construction of the specified product. Further requirements of the Directive apply to the manufacturing process and supply of this product. These are not covered by this certificate.

12 The marking of this product shall include the following:

 **II 1 G Ex ia IIC T4 Ga**

This certificate and its schedules may only be reproduced in its entirety and without change. This certificate is issued in accordance with the Element Materials Technology Ex Certification Scheme.



S P Winsor, Certification Manager

Issue date: 2016-06-07

Page 1 of 5

CSF355 3.0

13 SCHEDULE TO EU - TYPE EXAMINATION CERTIFICATE

14 TRAC14ATEX0041X (incorporating variation V3)

15 Description of Product

The equipment is a hand-held lighting torch, for use in Zone 0, temperature class T4, Gas group IIC protected by intrinsic safety ia. It is battery powered by three series connected primary 1.5Vdc AA alkaline cells housed within a main enclosure made from a yellow non-metallic material with a clear non-metallic lens. Inside there is an electronic PCB, a switch and a CREE XPE LED that provides the light output. The MSA XPS and 3325Z0 have the same shape, with the exception of a helmet mount pin on the MSA XPS.

A list of controlled Manufacturer's Documents is given in Appendix A to this schedule.

16 Test report No. (associated with this certificate issue): TRA-031649-33-00A

17 Specific Conditions of Use

1. Only Duracell type MN1500, Panasonic type AM-3PA/4B and Sanyo type SEC-AC4AA battery cells are permitted to be used in the equipment. The cells must be of the same manufacturer.
2. Do not replace battery cells when an explosive atmosphere is present. Battery cells must be replaced with the correct polarity.

18 Essential Health and Safety Requirements (Directive Annex II)

In addition to the Essential Health and Safety Requirements (EHSRs) covered by the standards listed at item 9, the following are considered relevant to this product, and conformity is demonstrated in the report:

<u>Clause</u>	<u>Subject</u>
None	None

19 Drawings and Documents

The list of controlled manufacturer's drawings and documents is given in Appendix A to this schedule.

20 Routine Tests

None.

21 Specific Conditions for Manufacture

None.

CONTINUATION OF SCHEDULE TO CERTIFICATE TRAC14ATEX0041X V3

22 Photographs

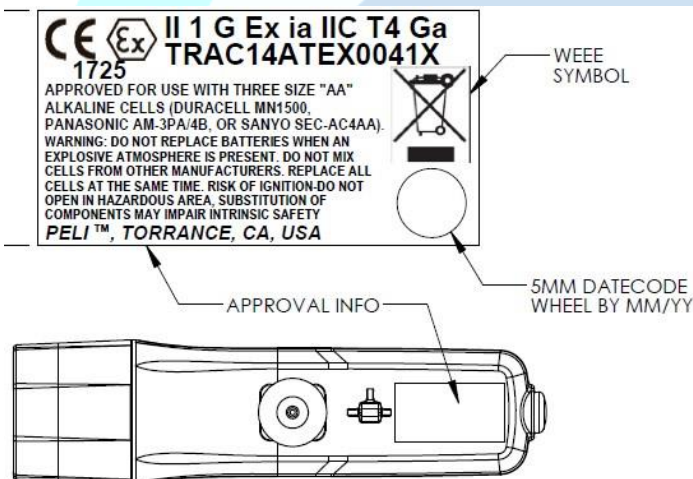


PELI 3325Z0 (left)

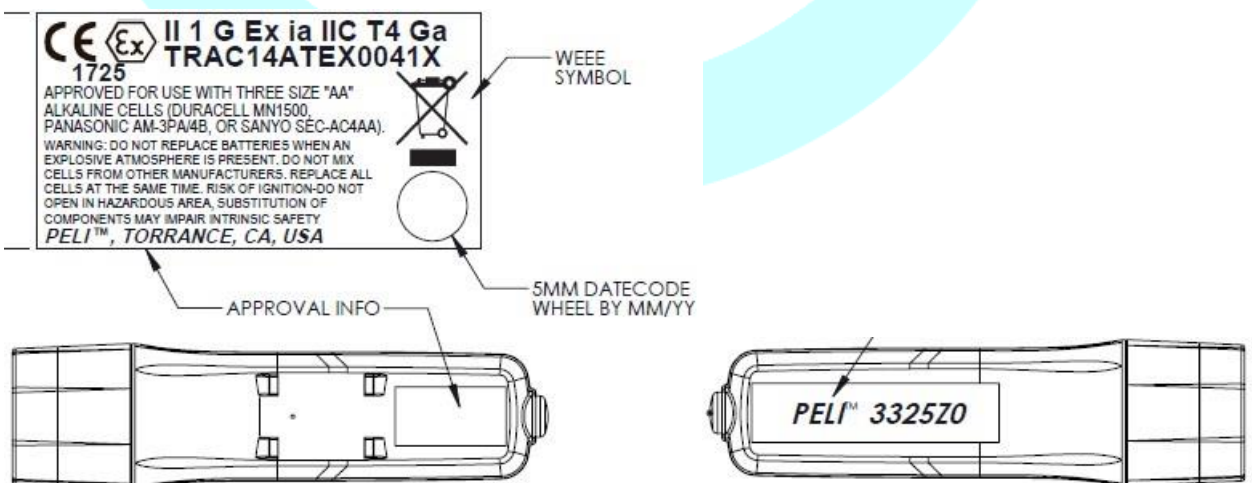
MSA by PELI XPS (right)

23 Details of Markings

LOGO 1: MSA by PELI XPS:



LOGO 2: PELI 3325Z0:



24 Details of Variations to this Certificate

This certificate is a consolidated certificate and reflects the latest status of the certification, including the following variations:

- Variation V1 - Update to latest standard EN60079-0:2012 and change in enclosure materials.
- Variation V2 - The helmet pin at the top of the torch has been modified in material, shape and dimensions (made slightly larger and more hard wearing).
- Variation V3 – 3325Z0: Updated lens shroud material and removal of helmet mount pin.
MSA XPS: Updated body material and lens shroud material.

25 Notes to CE marking

In respect of CE Marking, Element Materials Technology accepts no responsibility for the compliance of the product against all applicable Directives in all applications.

26 Notes to this certificate

Element Materials Technology certification reference: TRA-031649-32-00.

Throughout this certificate, the date format yyyy-mm-dd (year-month-day) is used.

Notified Body 0891 is the designation for Element Materials Technology Warwick Ltd (formerly known as TRaC Global Ltd).

In accordance with Article 41 of Directive 2014/34/EU, EC-Type Examination Certificates referring to 94/9/EC that were in existence prior to the date of application of 2014/34/EU (20 April 2016) may be referenced as if they were issued in accordance with Directive 2014/34/EU. Variation certificates to such EC-Type Examination Certificates, and new issues of such certificates, may continue to bear the original certificate number issued prior to 20 April 2016.

CONTINUATION OF SCHEDULE TO CERTIFICATE TRAC14ATEX0041X V3

APPENDIX A - LIST OF CONTROLLED MANUFACTURER'S DOCUMENTS

Title:	Drawing No.:	Rev. Level:	Date:
3325Z0:			
PELI 3325Z0 LIGHT ASSEMBLY	003250-6000-002	A	2016-03-15
PELI 3325Z0 BODY	033250-6000-002-01	A	2016-02-05
PELICAN 3325 PCBA (3 sheets)	033250-6000-001-20	A	2016-02-03
3325Z0 SHROUD OVERMOLD LENS	033250-6000-002-02	A	2016-04-15
PELI 3325Z0, APPROVAL INSERT	3325-001-Z0	B	2016-03-24
MSA XPS:			
3325 LIGHT ASSEMBLY	033250-6000-000	D	2016-05-02
BODY	033250-6000-000-01	D	2016-05-02
PCBA (3 sheets)	033250-6000-000-20	B	2016-05-02
SHROUD OVERMOLD LENS	033250-6000-000-02	C	2016-05-02
MSA BY PELI XPS, APPROVAL INSERT	3325-001-XP	A	2014-07-15
Both Models:			
BATTERY TRAY	033250-6000-000-06	A	2014-06-30
SWITCH HOUSING	033250-6000-000-08	A	2014-06-30
SWITCH BOOT	033250-6000-000-07	A	2014-06-30
LABEL, 1X AA BATTERY STICKER	033250-6000-000-31	A	2014-07-30
LABEL, 2X AA BATTERY STICKER	033250-6000-000-32	A	2014-07-30
PROTECTIVE VENTS	033250-6000-000-28	B	2016-05-02
O-RING, BODY	033250-6000-000-29	A	2014-06-30
PCBA HOUSING	033250-6000-000-21	A	2014-06-30
MCPCB HEATSINK	033250-6000-000-19	A	2014-06-30
LED + MCPCB ASSEMBLY	033250-6000-000-18	A	2014-06-30
REFLECTOR	033250-6000-000-05	B	2015-09-15
User Manual 3325Z0	003323-3150-501	B	2016