

# ATEX LED HT-650 ZONE 0 HEADTORCH



WITHOUT COMPROMISE

## PRODUCT INFORMATION

The ATEX LED HT-650 Zone 0 Headtorch is the ideal high light output and long duration headtorch for hands free lighting, particularly where access is difficult, requiring climbing or crawling. The HT-650 is CE marked to the ATEX directive and IECEx certified for safe use in Zones 0, 1 and 2 potentially explosive gas and Zones 20, 21 and 22 dust atmospheres.

'Fitted for life' high power LED light source

Adjustable, removable fabric head band



### LIGHT OUTPUT/DURATION/POWER

- Fitted for life LED light sources with 25,000+ hrs life
- Up to 130lm (at source)
- Up to 17 hrs Battery Duration

### CERTIFICATION

- ATEX & IECEx Directive explosive gas, vapour, mist and dust certified for zones 0, 1, 2, 20, 21 and 22
- T3/T4 temperature class (battery dependant, see instructions)
- 155°C maximum surface temperature
- IP67 ingress protection
- IIC Gas and IIIB Dust Approval
- Group I M1 Mining Approval

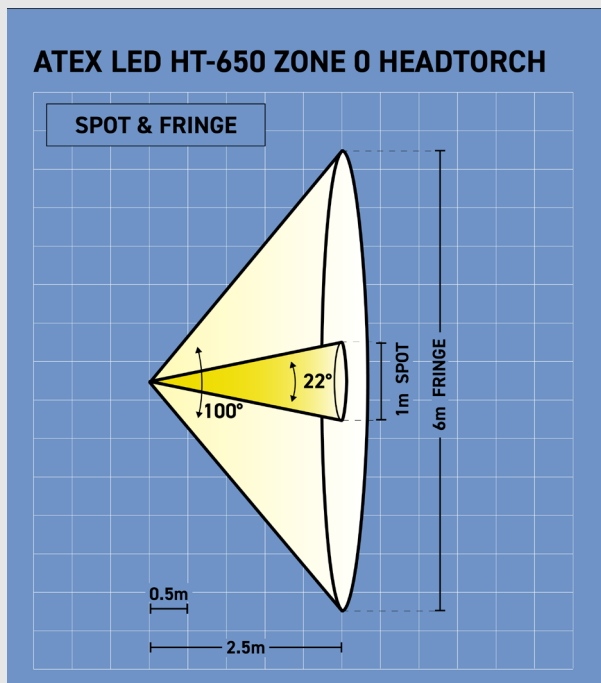
### FEATURES

- Wide angle flood for optimum workspace illumination
- Lightweight, ergonomic design
- Single handed switching
- Hands free operation
- IP67 water and dust tight
- Also supplied with washable inert silicone rubber strap and helmet clips for hard hat use.
- Tilt adjustment for light direction



# TECHNICAL INFORMATION

## LIGHT OUTPUT DIAGRAM

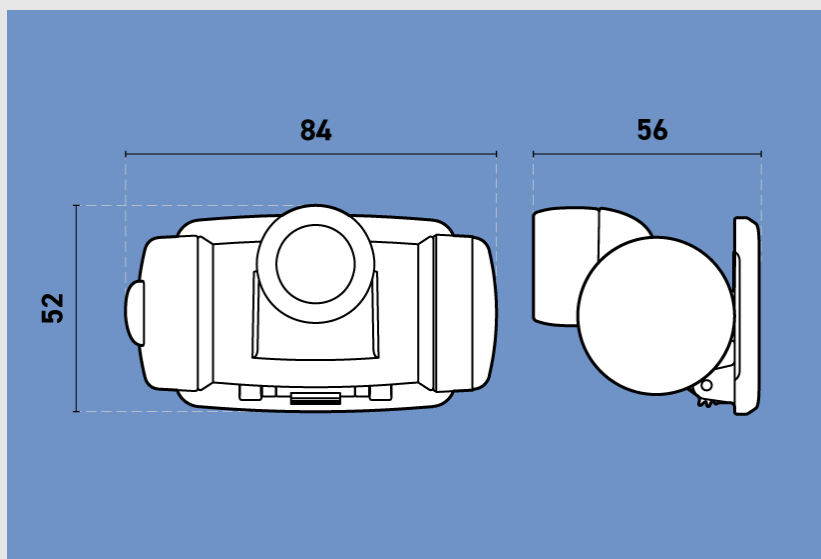


High Power LED spot beam (approx 22°)  
Peak luminous intensity at 1m 493 lux, at 2.5m 67 lux

Extra wide angle fringe beam (approx 100°)  
Peak luminous intensity at 1m 32 lux, at 2.5m 8 lux

## PRODUCT DIMENSIONS

### ATEX LED HT-650 ZONE 0 HEADTORCH



MEASUREMENT MM



# TECHNICAL INFORMATION

## ATEX LED HT-650 ZONE 0 HEADTORCH

| PRODUCT REFERENCE               |             | HT-650   |
|---------------------------------|-------------|--|
| PRODUCT DESCRIPTION             |             | ATEX LED HT-650 Headtorch<br>Zone 0  |
| CODE:                           | INDUSTRIAL  | I M1/II 1GD Ex ia op is I Ma/IIC T4/T3 Ga IP67<br>Ex ia op is IIIB T155°C Da |
|                                 | MINING      | I M1 Ex ia op is I Ma IP67   |
| TYPE OF PROTECTION              |             | "ia" intrinsic safety, 'op is' Optical Radiation                             |
| AREA OF CLASSIFICATION (GAS)    |             | Zones 0,1 and 2 - Gas groups IIA, IIB, IIC                                   |
| TEMP. CLASSIFICATION (GAS)      |             | T4/T3  |
| AREA OF CLASSIFICATION (DUST)   |             | Zones 20,21 and 22<br>Dust Groups IIIA, IIIB                                 |
| MAX. SURFACE TEMPERATURE (DUST) |             | 155°C  |
| CERTIFICATE                     |             | Baseefa 10ATEX0067X<br>IECEx BAS 10.0023X                                    |
| ENCLOSURE                       |             | High Impact Thermoplastic, Chemical Resistant                                |
| LENS                            |             | Shatterproof Polycarbonate   |
| BEAM TYPE                       |             | Broad Spot with Wide Angle Flood Light                                       |
| LIGHT SOURCE:                   | TYPE        | High Power LED   |
|                                 | OUTPUT      | Up to 130 lm   |
|                                 | LIFE        | 25,000+ hours (fitted for life)  |
| POWER SOURCE:                   | PART NUMBER | 3 x HT-210 (LR6 Cells)   |
|                                 | TYPE        | LR6 primary cells, to IEC 60086, Alkaline AA                                 |
|                                 | VOLTS       | 3 x 1.5V   |
| LIGHT DURATION                  |             | Up to 17 hours   |
| INGRESS PROTECTION              |             | IP67   |
| WEIGHT (INC. CELLS)             |             | 0.180Kg  |
| NATO CODIFIED VERSION           |             | HT-650MOD - NATO Stock No: 6230-99-2262040                                   |

All information has been gathered under laboratory conditions, the user must regard the values given as approximate. Changes may be made to the above specification without notification, details are available on request.

\*HT-650MOD only available for MOD customers. Refer to HT-650 technical spec.



Wolf Safety Lamp Company  
Saxon Road Works, Sheffield S8 0YA, UK

