

ATEX SAFETY TORCH WITH LED



WITHOUT COMPROMISE

TR-30+, TS-30+, TR-35+, TS-35+

ZONES **0** **1** **2** **21** **22**

PRODUCT INFORMATION

The ATEX/IECEX Safety Torch with LED is available with either a straight or right-angle body.

With a medium spot beam and a wide angled flood, it's extremely robust and reliable, with proven shock protection - even at subzero temperatures.

NSN Codes:

6230-99-2262040 - TR-35+MOD



KEY INFORMATION

LIGHT OUTPUT/DURATION/POWER

- Medium spot beam with wide-angle flood
- High power 'fitted for life' LED for outstanding light output, no bulb replacement required
- Up to 130 lumens light output with up to 17 hours duration
- 2 x 1.5V D/LR20 primary cells

CERTIFICATION

- Torches available for ATEX and IECEx Zones 0 and 20, or 1 and 21, explosive gas and dust atmospheres
- T4 Temperature Class
- T130°C Maximum Surface Temperature (Dust Certification)
- IP67 Ingress Protection
- Group I Mining Approval

FEATURES

- Compact and lightweight ergonomic torch design, straight and right-angle versions
- Supplied with wrist strap and clip ring
- Very low maintenance, quick and easy parts replacement
- Easy single-handed switching, even with gloved hands
- Replaceable high strength clip (on the right angle model only) allows for hands free use
- Low battery power indicator

TECHNICAL INFORMATION

PRODUCT DIMENSIONS

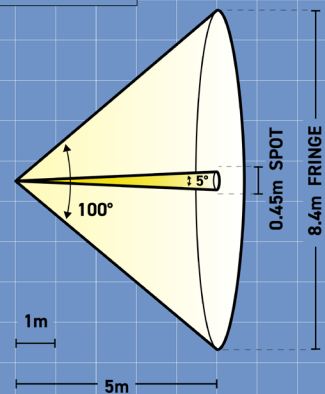
TR-30+, TS-30+, TR-35+, TS-35+



LIGHT OUTPUT

ATEX SAFETY TORCH WITH LED

SPOT & FRINGE



ATEX SAFETY TORCH WITH LED

MODEL	ATEX SAFETY TORCH WITH LED			
	TR-30+	TS-30+	TR-35+	TS-35+
PRODUCT DESCRIPTION	Primary Cell LED Right Angle or Straight Safety Torch			
CODE	Right Angle Zone 1 & 21	Straight Zone 1 & 21	Right Angle Zone 0 & 21	Straight Zone 0 & 21
TYPE OF PROTECTION	'ib' intrinsic safety		'ia' intrinsic safety	
AREA OF CLASSIFICATION (GAS)	Zones 1 & 2 Gas Groups IIA, IIB and IIC		Zones 0, 1 & 2 Gas Groups IIA, IIB and IIC	
TEMPERATURE CLASSIFICATION (GAS)	T4			
AREA OF CLASSIFICATION (DUST)	Zones 21 & 22 Dust Groups IIIA and IIIB		Zones 21 & 22 Dust Groups IIIA and IIIB	
MAX. SURFACE TEMP. (DUST)	T130°C			
AMBIENT TEMPERATURE	-30° to +40 / 55°C	-20°C to +40 / 55°C	-30° to +40 / 55°C	-20° to +40 / 55°C
CERTIFICATE	ATEX Baseefa / 07ATEX0091X IECEx BAS 06.0089X / BAS21UKEX0437			
ENCLOSURE	Impact Resistant Thermoplastic, Chemical Resistant, Static Dissipative			
LENS	Toughened Glass 4mm			
BEAM TYPE	Medium Spot with Wide-Angle Flood of Fringe Light			
LIGHT SOURCE	PART NO.	TP-300		
	POWER	Torch LED Module		
	OUTPUT	Up to 130 lm		
	LIFE	25,000hrs+ (Fitted for Life)		
POWER SOURCE	PART NO.	2 x H-20 (2 x LR-20 Cell suitable for 55° Maximum Ambient Temperature) (Batteries not supplied with torch)		
	TYPE	LR20 Primary Cells to IEC60086		
	POWER	2 x 1.5v		
LOW BATTERY INDICATOR	Yes			
LIGHT DURATION	Up to 14 hours to low power indicator Up to 17 hours total			
INGRESS PROTECTION	IP67			
WEIGHT (INC. CELLS)	0.500kg	0.475kg	0.500kg	0.475kg

All information has been gathered under laboratory conditions, the user must regard the values given as approximate. Changes may be made to the above specification without notification, details are available on request.



Wolf Safety Lamp Company
Saxon Road Works, Sheffield S8 0YA, UK

