

# EFi120xx/EFi150xx

16"/40 cm  
Blower/Exhauster

The electric powered EFixx Series hazardous location blowers/exhausters, with **whole-unit certification**, are intended for use in Adverse Atmospheres in accordance with the limitations of the rating. The whole-unit certification not only provides protection and peace of mind to the user; it also prevents suppliers from being linked to the chain of liability.

The largest hazardous location blowers for highest volume of air movement. Use the EFi150xx (1.5 Hp) model for higher velocities, increased volumes and reduced purge or cooling times. 16(40 cm) integrated duct adapters. Stackable in storage or during operation.

## Specifications

Model	EFi120xx (110V/240V)		EFi150xx (115V/230V)	
Part #	EA8120XX-110 Ships as 110V	EA8120XX Ships as 240V	EG8200XX Ships as 115V	EG8200XX-230 Ships as 230V
IMPA Code	591507			
Motor	1.2 hp / 0.9 kW		1.5 hp / 1.1 kW	
Motor Type	Totally Encapsulated Air Flame Proof			
Electric	110/240V, 1ø, 50Hz		115/230V, 1ø, 50/60 Hz	
Amps (Start/Run)	54A / 10A	27A / 5A	80A / 15A	40A / 8A
Cable	14AWG/2.5mm <sup>2</sup>			
Plug Types	A.T.X. 100/130V	A.T.X. 240V	A.T.X. 100/130V	A.T.X. 240V
Operating Temperature	-4°F to +104°F / -20°C to +40°C			
Noise	86.1 dB @ 3' (1 m)		90.2 dB @ 3' (1 m)	
Weight	55 lbs / 25 kg		61 lbs / 28 kg	
Dimensions (h x w x d)	19 x 18 x 16 in / 48 x 46 x 41 cm			
Impeller	7-Blade			



## Certifications & Approvals

Certification String: II 2 G Ex db eb IIB T6 Gb  
II 2 G Ex h IIB T6 Gb  
Zone 1, 2  
T6, non-mining gases up to 85°C

IECEx UL Certificate #: **13.0062X**

EC-Type Examination Certificate #: **DEMKO 09 ATEX 0926969X**

CE Hazardous Location Marking:

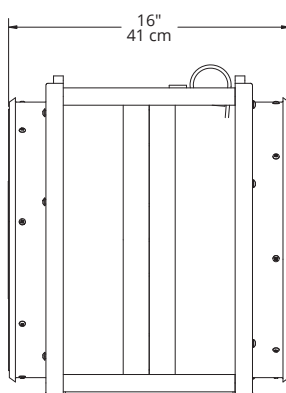
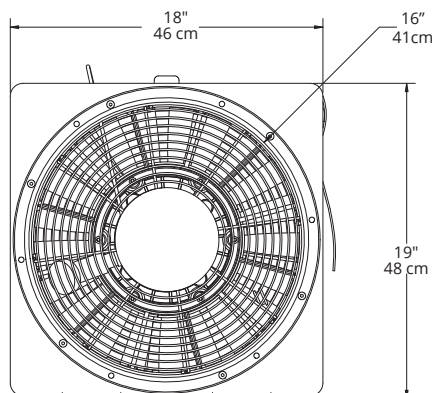
Design of fans working in potentially explosive atmospheres: **EN 14986**

Ingress Protection: **IP55**

INMETRO Certificate #: **UL-BR 13.0593X**

## Performance

Airflow	EFi120xx	EFi150xx
Free Air	3,750 cfm (6,375 m <sup>3</sup> /hr)	4,459 cfm (7,580 m <sup>3</sup> /hr)
Through Duct 15'/4.6 m w/ one 90° turn:	2,700 cfm (4,590 m <sup>3</sup> /hr)	3,179 cfm (5,404 m <sup>3</sup> /hr)



## Available Accessory

### ECKO Flex™ Anti-Static Duct with carrying bag

Order # FDT-1615CBR

16" (40cm) anti-static duct  
15' (4.6 m), w/ carrying bag



Order # FDT-1625CBR

16" (40cm) anti-static duct  
25' (7.6 m), w/ carrying bag

### Silent Guard

Order # EA7108

Reduction of noise: 7db  
decrease in 3ft (1m) and 10 ft  
(3m) setback

This accessory cannot be  
used with duct adapter on  
section side.

