

RECHARGEABLE TORCH

R-50, R-55 ZONES **0** **1** **2** **21** **22**



WITHOUT COMPROMISE

PRODUCT INFORMATION

The Wolf Rechargeable Torch is an ATEX, IECEx and UKEX certified rechargeable right angle safety torch, which uses the latest technology to give excellent performance, robustness and reliability for safe use in Zones 1 and 2 potentially explosive gas and 21 and 22 dust atmospheres (R-50). Zones 0 and 21 version available (R-55).

IMPA Codes:

79 22 67 - R-50, 79 22 68 - R-55

79 22 72 - R-50H, 79 22 73 - R-55H



KEY INFORMATION

LIGHT OUTPUT / DURATION / POWER

- Fitted for life LED light sources with 25,000+ hrs life
- Ultra bright high power LED light up to 300 lumens
- 2 power levels; duration up to 6.5 hours low power, 3.5 high power

CERTIFICATION

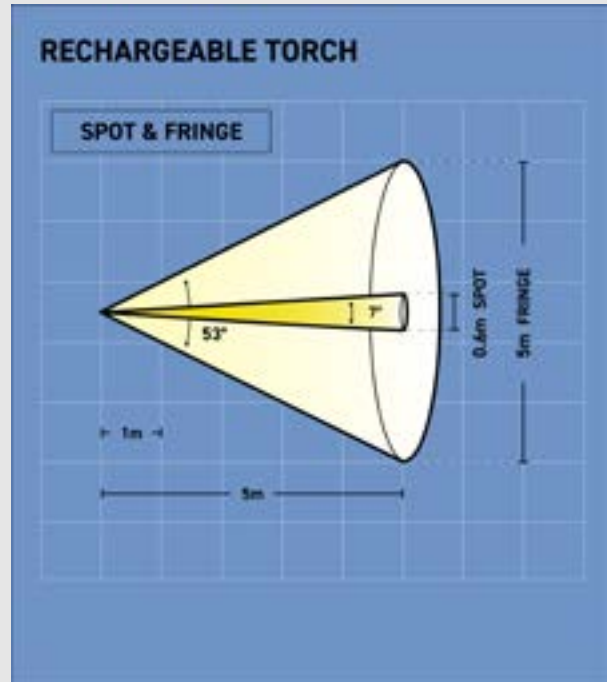
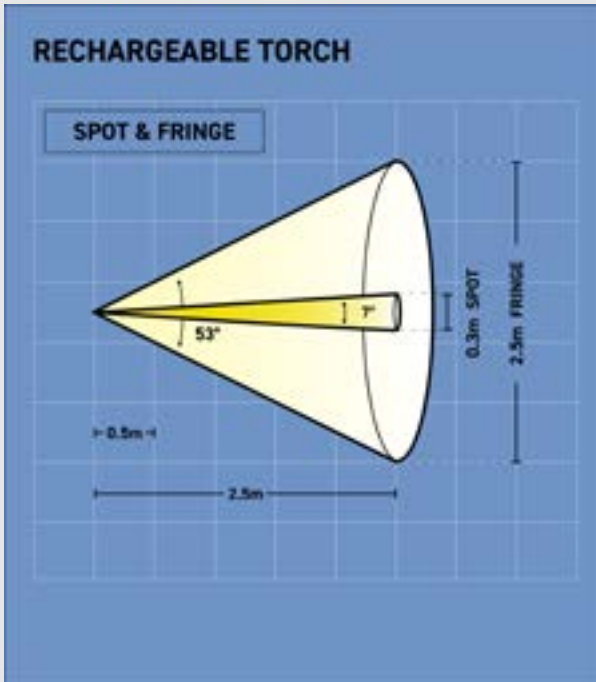
- ATEX, IECEx and UKEX certified for use in Zones 1 and 21, plus Zones 0 and 21 version available
- IP67 certified

FEATURES

- Rapid recharge time of only 1.5 hours for 90% capacity
- Emergency illumination power fail mode
- Low battery power indicator allows user to monitor state of battery charge
- Supplied with wrist strap and split ring
- Suitable for cyclic, short and long term standby applications
- Easy operation with a gloved hand
- Proven impact resistance
- Very low maintenance - quick and easy parts replacement
- Mains and vehicle charger options
- Quick snap in/snatch out function chargers allow for fast, urgent use



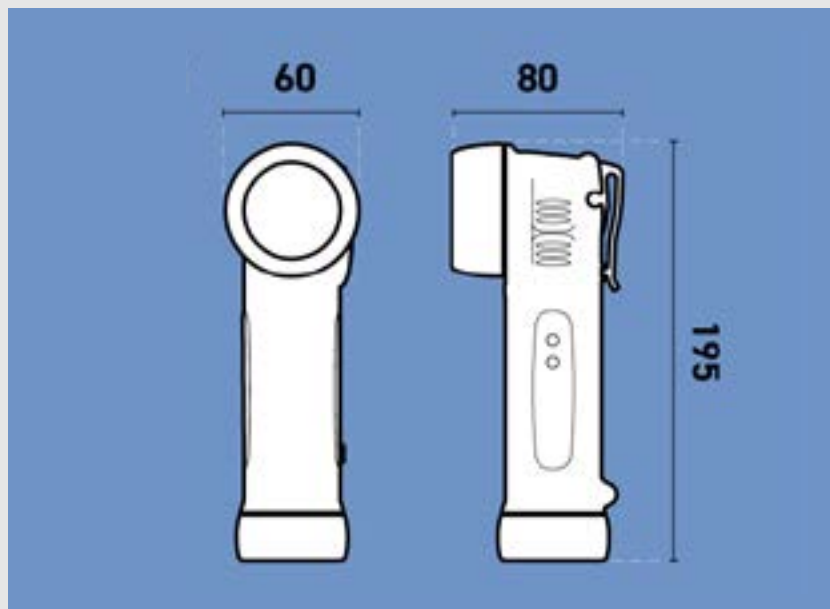
LIGHT OUTPUT DIAGRAM



R-50/R-55 - 3W LED Beam (approx 7°)
Peak luminous intensity at 2.5m **2100 lux**

PRODUCT DIMENSIONS

R-50/R-55
RECHARGEABLE TORCH



MEASUREMENT MM



RECHARGEABLE TORCH

PRODUCT REFERENCE	R-50	R-55
PRODUCT DESCRIPTION	Rechargeable Right Angle Safety Torch	
	Zone 1 LED	Zone 0 LED
CODE	I M2/II 2GD Ex ib I Mb/IIC T4 Gb (-40°C ≤ Ta ≤ +40°C) Ex ib IIB T200°C Db IP67	I M1/II 1G2D Ex ia I Ma/IIC T4 Ga (-40°C ≤ Ta ≤ +40°C) Ex ib IIB T200°C Db IP67
TYPE OF PROTECTION	'ib' intrinsic safety	'ia' intrinsic safety
AREA OF CLASSIFICATION (GAS)	Zones 1 & 2, Gas Groups IIA, IIB, IIC	Zones 0,1 & 2, Gas Groups IIA, IIB, IIC
TEMPERATURE CLASSIFICATION	T4	
AREA OF CLASSIFICATION (DUST)	Zones 21 & 22 Dust Groups IIA, IIB	Zones 21 & 22 Dust groups IIA, IIB
MAX. SURFACE TEMPERATURE (DUST)	T200°C	
AMBIENT TEMPERATURE	-40°C to +40°C	
CERTIFICATE	Baseefa05ATEX0069 / IECExBAS06.0001 / BAS21UKEX0438	
ENCLOSURE / LENS	Impact Resistant Thermoplastic, Chemical Resistant, Static Dissipative / Toughened Glass 4mm	
BEAM TYPE	High Output Spot Beam	
LIGHT SOURCE:	TYPE	High Power LED
	WATTS	3 Watts
	OUTPUT	High Power - Up to 300lm / Low Power - Up to 172lm
	LIFE	25,000hrs+ (Fitted For Life)
POWER SOURCE:	PART NO.	R-271
	TYPE	Rechargeable Battery, Lithium-Ion
	VOLTS	7.4V
	CAPACITY / LIFE	2.4Ah / Up to 500 Recharge Cycles
LIGHT DURATION	High Power - Up to 3.5hrs / Low Power - Up to 6.5hrs	
INGRESS PROTECTION	IP67	
WEIGHT (INC. CELLS)	0.375kg	
CHARGERS	12-24Vdc RC-200L / 90-264Vac RC-200H	
RECHARGE TIME	3.0 hours (90% in 1.5hours)	

All information has been gathered under laboratory conditions, the user must regard the values given as approximate. Changes may be made to the above specification without notification, details are available on request.

