

# Markerlite

Zones: 1, 2, 21 and 22



## Product Overview

The Wolf Markerlite is a self-contained, high visibility LED indicator which is CE marked to the ATEX Directive and IECEx certified for safe use in potentially explosive zone 1 (IIC/T4) gas and zone 21 (IIIB/200 °C) dust atmospheres. In dark and reduced visibility environments, the Markerlite can be used in many hazardous area applications to clearly highlight the position of personnel or hazards, ranging from personal identification on protective headwear, clothing and site bicycles to escape route, exit and equipment marking.

Two coin primary cells power an ultra bright 'fitted for life' LED light, available in white, red or amber, with switchable flashing (up to 65 hours output) or static (up to 25 hours output) functions, to deliver an excellent wide angle beam of 180° light, visible from front and sides.

The Markerlite can be securely fixed and left in position for extended periods of time to continuously highlight dangers and obstacles to minimise the risk of injuries and accidents - easily mounts on a headband strap or fixes to a tube using a cable tie (supplied) and grip pad stops rotation. Equally its small size and weight, less than 37mm in diameter and 23 grams with batteries, make it ideal for carrying on your person.

Built for longevity and total reliability, the Markerlite has robust single handed switching for operation and function selection, drop and impact resistant polycarbonate enclosure and lens and is IP67 dust tight and protected against the effects of immersion up to 1m under water.

The Markerlite is supplied ready to use with integrated clip, re-usable cable tie, batteries and instructions.

## Features & Benefits

- For indication in explosive gas and dust atmospheres
- ATEX and IECEx certified zones 1 and 2
- Ultra bright 'fitted for life' LED
- Small and lightweight at 23 grams with batteries
- Visible over 0.5 miles / 0.8 kilometres away in the dark
- Easily attaches to clothing and equipment
- Fitted with integrated clip and cable tie slot (reusable cable tie supplied)
- 3V Lithium cells last over 65 hrs (flashing) and 25 hrs (static)
- 3 colours available – white / red / amber
- IP67 rated
- Supplied with batteries

## Certifications



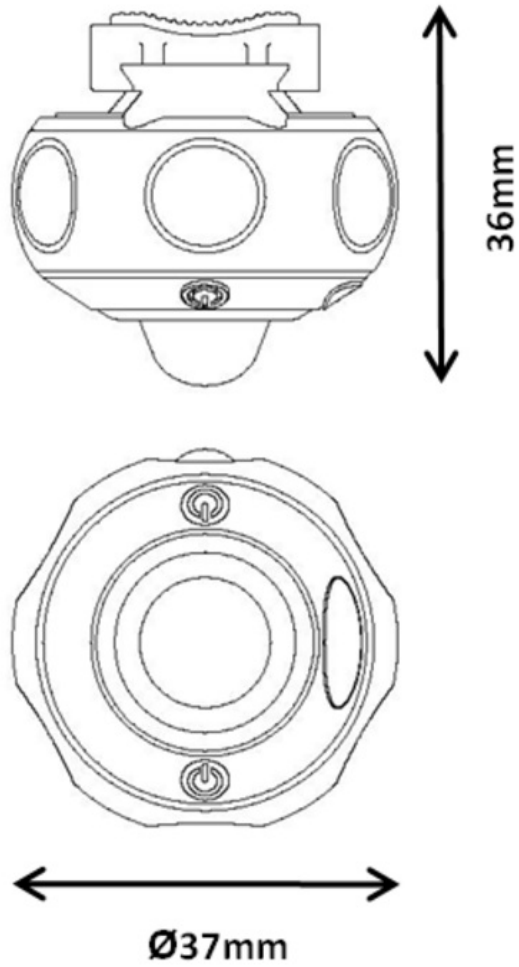
# Technical Specification

<b>Product Reference</b>	<b>ML-15W</b>	<b>ML-15A</b>	<b>ML-15R</b>	
<b>Product Description</b>	White	Amber	Red	
<b>Code (Industrial)</b>	II 2 GD Ex ib IIC T4 Gb (Tamb -40°C to +55°C) IP67 Ex ib IIIB T200°C Db			
<b>Type of Protection</b>	'ib' intrinsic safety			
<b>Area of Classification (Gas)</b>	Zones 1 and 2 Gas Groups IIA, IIB & IIC			
<b>Temp. Classification (Gas)</b>	T4			
<b>Ambient Temperature</b>	-40°C - +55°C			
<b>Area of Classification (Dust)</b>	Zones 21 and 22 Dust Groups IIIA & IIIB			
<b>Max Surface Temperature (Dust)</b>	T200°C			
<b>Certification</b>	ATEX - Baseefa14ATEX0203 IECEX - IECEX BAS 14.0095			
<b>Enclosure</b>	Polycarbonate and Thermoplastic Elastomer			
<b>Lens</b>	Polycarbonate			
<b>Beam Type</b>	Wide Angle (180°)			
<b>Light</b>	High Output LED			
<b>Light Source</b>	<b>Type</b>	LED White	LED Amber	LED Red
	<b>Output</b>	4.7 lumens		
	<b>Life</b>	25,000 hrs		
<b>Power Source</b>	<b>Type</b>	CR2032 Lithium Button Cells with a minimum separation of 0.9mm between central negative (-) pad and outer edge of cell		
	<b>Volts</b>	2 x 3V		
<b>Light Duration</b>	65 hrs (flashing) & 25 hrs (static)			
<b>Ingress Protection</b>	IP67			
<b>Weight (incl. cells)</b>	23 grams			

- All information has been gathered under laboratory conditions, the user must regard the values given as approximate.
- Changes may be made to the above specification without notification, details are available on request.

## Product Dimensions

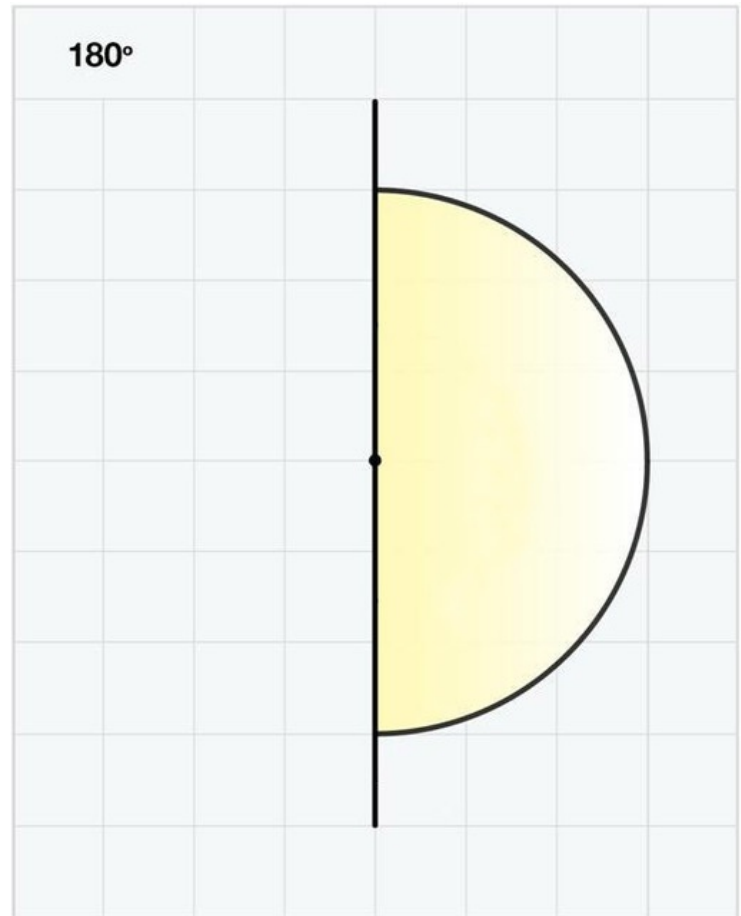
37mm diameter x 36mm



## Light Output

4.7lm Wide Angle Beam (approx.  $180^\circ$ )

Peak luminous intensity at 30cm **13.4lux**



Version: SL057 Issue 2 DF528

**DAACON**

E-post: [lykter@dacon.no](mailto:lykter@dacon.no)

[webshop.dacon.no](http://webshop.dacon.no)