

ATEX TURBOLITE



WITHOUT COMPROMISE

A-TL44C, A-TL45C ZONES **1** **2** **21** **22**

PRODUCT INFORMATION

The ATEX, IECEx and UKEX certified ATEX Turbolite is a high-powered compressed air driven lamp for use in potentially explosive atmospheres and meets EN IEC 60079-0:2018 and EN 60079-33:2014 'explosion prevention and protection' in Europe, offering a safe, effective and efficient alternative to mains and low powered lighting solutions.

Baylight

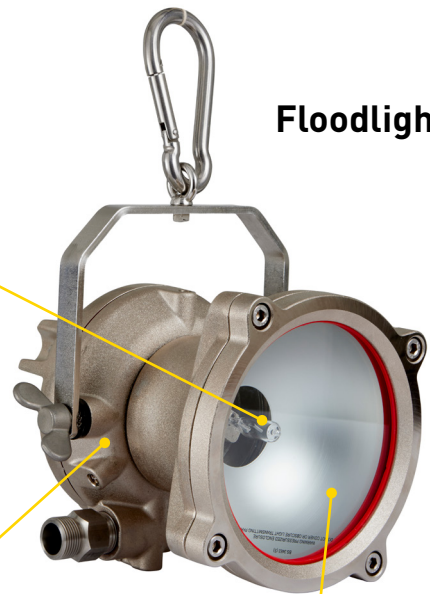
360° illumination



250 watt halogen bulb,
with up to 9000 lm light
output

Nickel-plated aluminium
enclosure

Floodlight



10mm toughened glass
lens

LIGHT OUTPUT/POWER

- 6000 lumen long life bulb fitted as standard; 9000 lumen high output available to order
- 250 watt halogen filament bulb
- 360° bay or floodlight models available

CERTIFICATION

- ATEX, IECEx and UKEX certified for use in Zones 1 and 2 Hazardous Areas
- CE marked to ATEX Directive, for use in zones 1 and 2 Hazardous Areas
- Dust ignition protected for zones 21 and 22 using remote exhaust
- Once pressurised may be used underwater (see the technical table for full ingress protection information)

FEATURES

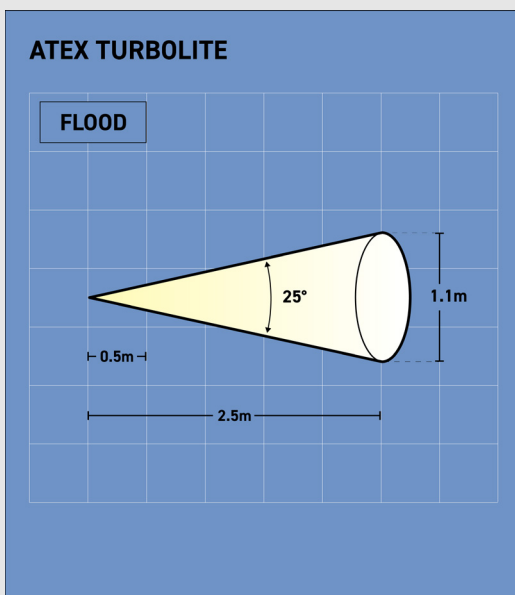
- Aluminium (non sparking grade) super lightweight construction; nickel-plated for corrosion protection
- Compact and lightweight for ease of handling and transport
- Compressed air driven lamp ideal for Hazardous Area environments with no electrical power source (or with only expensive diesel generators); especially suitable for marine and tank cleaning environments where compressed air is readily available
- Major components are identical to Wolf's existing range of ATEX compressed Airlamps with decades of proven reliability and long service life
- Fitted with stainless steel particle trap /exhaust silencer
- Full range of accessories available - including an option to pipe exhaust air into a safe area for dust applications and enabling near silent running
- A safe alternative to mains and low voltage cable powered products, removing the risk of trailing cables



Particle trap/exhaust can be replaced
with a hose to enable near silent
running for use in Dust Zones 21/22

TECHNICAL INFORMATION

LIGHT OUTPUT DIAGRAM



A-TL45C - Floodlight

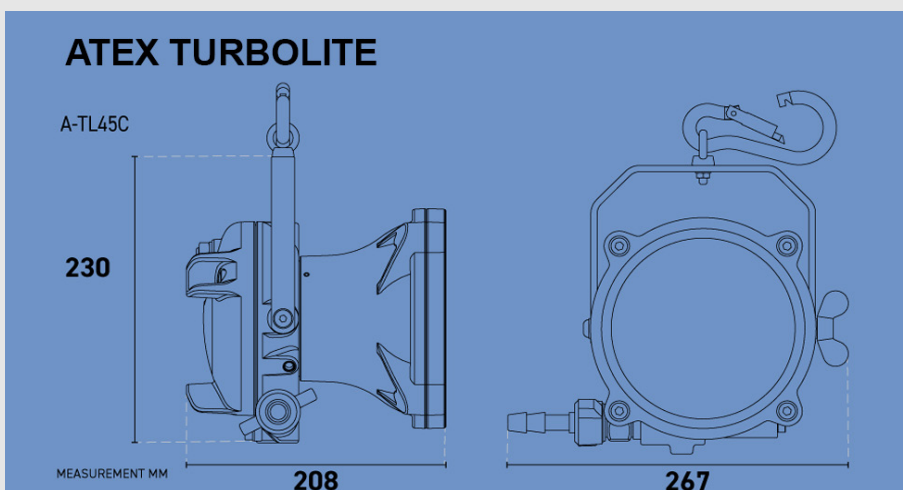
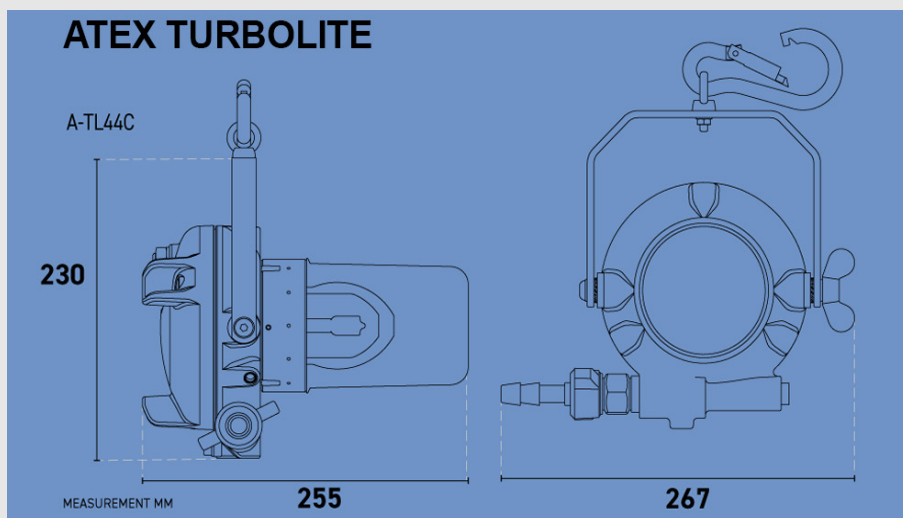
Flood Beam (approx 25°)

Peak luminous intensity at 5m **950lux**

A-TL44AC - Baylight

Peak luminous intensity at 2.5m **70lux**

PRODUCT DIMENSIONS



ATEX TURBOLITE

PRODUCT REFERENCE		A-TL44C	A-TL45C
PRODUCT DESCRIPTION		Baylight and Floodlight	
CODE	ATEX	II 2 G D Ex sb IIC T4 Gb Ex sb IIIC T135°C Db	
APPARATUS STANDARDS		EN IEC 60079-0:2018 and EN 60079-33:2014	
TYPE OF PROTECTION		Ex sb	
AREA OF CLASSIFICATION (GAS)		Zones 1 and 2, Gas Groups IIA, IIB, IIC	
TEMPERATURE CLASS (GAS)		T4	
AREA OF CLASSIFICATION (DUST)		Zones 21 and 22	
MAX. SURFACE TEMP. (DUST)		T135°C	
AMBIENT TEMPERATURE		-15°C to +55°C	-20°C to +55°C
CERTIFICATE	ATEX	CML 22ATEX9542X CML 22UKEX9543X IECEX CML 22.0083X	
ENCLOSURE		Aluminium	Aluminium
LENS		Ball glass and plastic protective dome	Toughened Glass (10mm)
BEAM TYPE		All-around 360° Illumination	Flood
LIGHT SOURCE	PART CODE	A-129 (6000 lumen standard bulb) A-159 (9000 lumen high output bulb) can be ordered as an alternative	
	TYPE	Halogen Filled Filament Bulb	
	VOLTS	24v	
	WATTS	250w	
	OUTPUT	6000 lm / 9000 lm	
	LIFE	2000 hrs / 200 hrs	
POWER SOURCE	TYPE	Compressed Air Driven Turbo-alternator	
	AIR PRESSURE	5.0-8.0 bar	
	CONSUMPTION	0.75m ³ /min	
INGRESS PROTECTION		IP66 (when running) Once pressurised may be used underwater. When using under water, always start the lamp before submerging and ensure lamp is running until removed from water, an additional accessory must be fitted allow an exhaust hose to be fitted to either have the exhaust air away from the lamps or piped to the surface. Depth of use limitations to be considered regarding water pressure.	
WEIGHT		4.4kg	5.3kg



All information has been gathered under laboratory conditions, the user must regard the values given as approximate. Changes may be made to the above specification without notification, details are available on request.

